

SUPPLEMENT

TO THE

NEW ZEALAND GAZETTE

OF

THURSDAY, DECEMBER 14, 1905.

Published by Authority.

WELLINGTON, THURSDAY, DECEMBER 14, 1905.

CONTENTS.

	Page
Official Notices	2925
Applications for Letters Patent filed	2926
Complete Specifications accepted	2927
Provisional Specifications accepted	2931
Letters Patent sealed	2932
Letters Patent on which Fees have been paid	2932
Subsequent Proprietors of Letters Patent registered	2932
Requests to amend Specifications allowed	2932
Requests to Correct Clerical Errors in Specifications	2932
Applications for Letters Patent abandoned	2932
Application for Letters Patent void	2932
Applications for Letters Patent lapsed	2932
Letters Patent void	2932
Design registered	2933
Applications for Registration of Trade Marks	2933
Trade Marks registered	2940
Trade Mark Renewal Fees paid	2940
Trade Marks removed from Register	2940
Request for Correction of Clerical Error in Application for Trade Marks allowed	2940
Illustrations of Inventions.	

Official Notices.

PATENT OFFICE LIBRARY.

THIS library contains the following publications, viz. :—

United Kingdom.

The full text of the specifications and complete drawings of inventions patented from the year 1617 up to the 10th August, 1905.

Classified abridgments of inventions to 1900.

Illustrated Official Journal, containing lists of recent applications, abridgments of inventions for which patents have been lately granted, patents void, &c., to November, 1905.

Index of Applicants.

Subject-matter Index.

Commissioner of Patent Journal, &c. (*)

Trade Marks Journal to August, 1905.

Canada.

Patent Office Record (containing illustrated abridgments of inventions, &c.) to April, 1905^(b).

Australia.

The Official Journal of Patents of the Australian Commonwealth (containing lists of applications for letters patent, abridgments of complete specifications accepted, &c.).

The Gazettes of the various States (containing lists of applications for registration of trade marks, &c.).

Specifications, drawings, abridgments, and indexes of Victoria, New South Wales, Queensland, and South Australia^(*).

United States.

The Official Gazette of the United States Patent Office (containing illustrated abridgments of specifications, &c.) to October, 1905.

Mexico.

The Official Gazette of the Patent and Trade Mark Office.

General.

La Propriété Industrielle (the official organ of the International Bureau of the Union for the Protection of Industrial Property).

Patent laws of the world.

Patent and Trade Mark Review.

Text-books and handbooks on patents and trade marks.

Miscellaneous publications.

Illustrated catalogues, price-lists of machinery, &c.

BOOKS AND DOCUMENTS OPEN TO INSPECTION.

The following documents and books are open to public inspection at the Patent Office :—

Patents.

(Fee for each search or inspection, not exceeding one hour, 1s.)

1. The files relating to all applications for letters patent in respect of which complete specifications have been accepted.

2. Classified copies of specifications and drawings, with index and key^(*).

3. Register of Application for Letters Patent.
4. Register of Patents.
5. Register of Subsequent Proprietors of Letters Patent^(*).
6. Index of Patentees^(†).
7. Index of Proprietors of Letters Patent granted prior to 1890^(‡).
8. Index of Specifications^(§).

Designs.

(Search fee, 1s. each quarter of an hour.)

1. Register of Designs, with Index of Names of Proprietors.
2. Classified Representations of Designs in respect of which Copyright has expired.
3. Index of Designs.

Trade Marks.

(Search fee, 1s. each quarter of an hour.)

1. The files relating to all applications for registration of trade marks.
2. Register of Applications for Registration of Trade Marks.
3. Register of Trade Marks.
4. Index of Applicants for Registration of Trade Marks^(¶).
5. Index of Trade Marks.
6. Classified Representations of Trade Marks, with indexes.

Miscellaneous.

Register of Patent Agents.

Forms.

The following forms, &c., may be had on application:—

- Application for letters patent.
- Provisional specification.
- Complete specification and copy thereof.
- Application for registration of design.
- Application for registration of trade mark.
- Applications for extension of time.
- Requests by subsequent proprietor to enter name on Register of Patents and Trade Marks.
- Printed sheets of information as to fees and procedure to obtain letters patent and to register a trade mark^(¶).
- Pamphlet containing Act and Regulations (price 1s.).

OFFICIAL PUBLICATIONS.

The following publications may be obtained from the Government Printer, Wellington:—

- Printed specifications to the end of the year 1879.
- Annual lists of letters patent and letters of registration applied for, and particulars of applications lapsed, and patents lapsed, from 1880 to 1888 inclusive.
- Annual reports of the Registrar, containing alphabetical lists of applicants for letters patent and of inventions patented from 1889 to 1904 inclusive.
- The Patents Supplement to *Gazette* (containing notifications, applications for letters patent, abridged descriptions and drawings of inventions, &c.), published fortnightly.

LOCAL PATENT OFFICES.

Local patent offices for the reception of applications for letters patent without extra payment have been appointed at the following places: Ashburton, Auckland, Blenheim, Christchurch, Dunedin, Gisborne, Greymouth, Hokitika, Invercargill, Napier, Nelson, New Plymouth, Oamaru, Queenstown, Thames, Timaru, Wanganui, Westport. These are situated in the Supreme Court Buildings and S.M. Court Houses.

PATENT AGENTS.

A list of registered patent agents may be obtained on application.

- (*) Discontinued.
- (†) These may also be seen at the Public Libraries, Auckland and Christchurch.
- (‡) In arrears. Not now being printed.
- (§) Key is in card index.
- (¶) This Register contains only names of subsequent proprietors of letters patent granted prior to 1st January, 1890; since that date they appear in Register of Patents.
- (¶) Includes all names of applicants, &c., and consists of four volumes to 4th November, 1903, and card index since that date. A separate card index is kept for current quarter.
- (¶) The names of proprietors of subsequent letters patent appear in the Index of Patentees.
- (¶) Contains classified abridgments of specifications from 1861, with extracts from drawings from July, 1904.
- (¶) Names of applicants for registration and proprietors of trade marks are indexed at the beginning of the Registers up to 31st December, 1889; in separate volume up to 5th September, 1904; and since the latter date are in card index.
- (¶) May also be obtained at any local Patent Office or money-order office.

Applications for Letters Patent filed.

LIST of applications for Letters Patent filed. (Where a complete specification accompanies an application an asterisk is suffixed; in all other cases a provisional specification has been lodged. In cases where the applicant is not the inventor the name of the latter appears in italics after the title.)

- No. 20384.—25th November.—A. T. Craven, Nelson. Music roller and holder.
- No. 20385.—25th November.—G. Leslie, Wanganui. Enriching and preserving natural colours of timber.
- No. 20386.—29th November.—E. Sable, Korong Vale, Vic. Rabbit, &c., trap.
- No. 20387.—29th November.—A. R. Angus, Neutral Bay, N.S.W. Railway-brake.
- No. 20388.—29th November.—A. R. Angus, Neutral Bay, N.S.W. Railway-brake.
- No. 20389.—29th November.—A. R. Angus, Neutral Bay, N.S.W. Railway-brake.
- No. 20390.—29th November.—F. Staines, Melbourne. Pea-shelling machine.
- No. 20391.—25th November.—M. Hogan, Edendale. Grain and seed cleaning machine.
- No. 20392.—27th November.—J. Glossop, Dunedin. Boring apparatus.
- No. 20393.—28th November.—A. H. Chapman, Kurow. Meat preserving.*
- No. 20394.—28th November.—J. H. Jones and W. Kane, Cromwell. Gold-saving dredge.
- No. 20395.—28th November.—A. M. Swhan, Otautau. Turnip-thinner.
- No. 20396.—28th November.—L. H. Potton and E. C. Winstone, Christchurch. Attaching models to dental articulators.
- No. 20397.—1st December.—D. Caithness and J. P. Graham, Waikaka. Dredge-anchor.
- No. 20398.—1st December.—C. J. Johnson and J. Carlaw, Auckland. Firebridge.*
- No. 20399.—1st December.—T. H. Anderson, Christchurch. Bedroom-chamber.
- No. 20400.—29th November.—E. Wrigley, Auckland. Bar-shears.
- No. 20401.—2nd December.—W. Costello, Masterton. Bag stand.
- No. 20402.—29th November.—J. Anderson and J. D. Hunter, Dunedin. Liquid-measure.*
- No. 20403.—29th November.—S. Priest, Jun., West Devonport, Tasmania. Cooking-range.
- No. 20404.—1st December.—J. D. Baldwin, Gore. Hanging pictures.
- No. 20405.—4th December.—E. G. Gresham, Dunedin, and A. Gray, Wellington. Pneumatic knee-ring.*
- No. 20406.—5th December.—B. Locking, Napier. Weed and animal destruction.
- No. 20407.—5th December.—J. S. MacLaurin and W. S. LaTrobe, Wellington. Dried-milk manufacture.
- No. 20408.—6th December.—W. H. Edwards, Attunga, New South Wales. Detonators, &c.*
- No. 20409.—6th December.—R. E. Burke and M. Egan, Timaru. Fire-reel carriage attached to cycle.
- No. 20410.—4th December.—M. Saunders and G. Winter, Pleasant Point. Bagging and stacking threshed grain.
- No. 20411.—2nd December.—F. W. Payne, Dunedin. Gold-saving apparatus.*
- No. 20412.—6th December.—Marine Construction Company, San Francisco. Sand-blast apparatus.* (J. D. Murray.)
- No. 20413.—6th December.—A. Harrington and W. Spiers, Leicester, England. Boot and shoe finishing-machine.*
- No. 20414.—6th December.—A. H. McNeil, Clapton, England. Fire alarm.*
- No. 20415.—6th December.—E. G. Marlow, Claremont, W.A., and F. C. Constable, Perth, W.A. Skimmer for steam-boiler.*

- No. 20416.—2nd December. — J. F. Peters, Devonport, Auckland.
Fly-catcher.
- No. 20417.—7th December.—J. Hanlon, Ballarat, Vic.
Engraving-plates.*
- No. 20418.—7th December.—C. Maaskant, Waterval Boven, Transvaal.
Preventing unauthorised access to railway-trucks.*
- No. 20419.—7th December.—The British-American Machinery Company (Limited), London.
Cardboard-box making and filling machine.*
(*B. T. Pollard and E. L. Behrmann.*)
- No. 20420.—7th December.—L. H. Hicks, Williamstown, Vic., and A. N. Cooke, Richmond, Vic.
Toe-plate for boots.
- No. 20421.—7th December.—J. G. Slater, W. Junor, and T. H. Watson, Toronto, Canada.
Extraction of gold.
- No. 20422.—7th December.—G. J. Henry, jun., San Francisco.
Hydraulic nozzle.*
- No. 20423.—7th December.—C. F. Lungley, Melbourne, Vic.
Manufacture of ammonia.
- No. 20424.—7th December.—F. W. Wise, Wellington.
Clothes-washing machine.*
- No. 20425.—5th December.—F. A. Oddie, Upper Thames.
Ore crusher.
- No. 20426.—5th December.—G. Pulman, Ponsonby, Auckland.
Dwelling.
- No. 20427.—5th December.—J. Strathern, Kingsland.
Treating potatoes, &c., when sown, for blight.
- No. 20428.—8th December.—P. J. Cocks, Opawa, and F. O. Andrews, Christchurch.
Poultry-feeder.
- No. 20429.—8th December.—S. C. Heale, Christchurch.
Picture-frame.
- No. 20430.—11th December.—L. Siegenberg, jun., London.
Incandescent-gas burner.
- No. 20431.—11th December.—G. Harvey, Melbourne.
Writing appliance for the blind.
- No. 20432.—11th December.—J. J. Flett, Enfield, N.Z.
Weed-eradicator.
- No. 20433.—11th December.—R. D. Haworth, Wellington.
Cardboard-box manufacture.
- No. 20434.—11th December.—T. Higgie, Okoia.
Cow-leg holder.
- No. 20435.—7th December.—T. Taylor, Devonport.
Non-refillable bottle.
- No. 20436.—9th December.—H. P. Barry, Waihi.
Lining for tube-mills, &c.
- No. 20437.—9th December.—D. Whitburn, Auckland.
Game.
- No. 20438.—12th December.—Wallace and Cooper, Timaru.
Metal carting and spreading wagon.
- No. 20439.—12th December.—A. T. Craven, Nelson.
Music-holder.
- No. 20440.—12th December.—E. N. Grove, Wellington.
Moving tramrail joints and overhead shifting wires.
- No. 20441.—12th December.—R. J. Fry, Brunswick, Vic.
Animal-trap.
- No. 20442.—12th December.—B. T. R. Greensill, Mahau, N.Z.
Egg-beater holder.*
- No. 20443.—11th December.—J. L. Kirkbride, Auckland.
Tram-car fender.
- No. 20444.—11th December.—J. Mead, Auckland.
Show-case fastener.*
- No. 20445.—13th December.—R. J. Terry, Hobart.
Egg-tester.
- No. 20446.—13th December.—H. Buckeridge, Richmond, Nelson.
Stocking attachment to reaper-and-binder.

Notice of Acceptance of Complete Specifications.

Patent Office,

Wellington, 13th December, 1905.

COMPLETE specifications relating to the undermentioned applications for Letters Patent have been accepted, and are open to public inspection at this office. Any person may, at any time within two months from the date of this *Gazette*, give me notice in writing of opposition to the grant of any such patent. Such notice must set forth the particular grounds of objection, and be in duplicate. A fee of 10s. is payable thereon.

No. 18806.—19th December, 1903.—ERNEST SMITH BALDWIN and HENRIE HAMPTON RAYWARD, carrying on business as Baldwin and Rayward, of Grey Street, Wellington, New Zealand, Patent Agents (nominees of Deutsche

Dauerbrot Gesellschaft, of Berlin, Germany, The Ever Fresh Bread Company, of 24, Holborn, London, England; assignees of Franz Joseph Korner, of Eltville, Germany, Baker). A new or improved process for making bread.

Claim.—A process for making a good keeping bread, which consists in treating the rice substitute or addition with milk, substantially as described.

[NOTE.—This is an application under section 108 of the Act, the date given being the official date of the application in Great Britain.]

(Specification, 1s. 6d.)

No. 18829.—3rd December, 1904.—JOHN CHARLES LEGG, of Auckland, New Zealand, Baker. Improved means for attaching the handles of bakers' peels.*

Claims.—(1.) In means for attaching the handles of bakers' peels, a socket extending inwards from one end of the blade, and formed with parallel sides, and with recesses in the surfaces of the sides thereof, in combination with an end of the handle shaped to fit within the socket and provided with flat springs attached one on each side thereof, adapted to enter and engage with the recesses in the sides of the socket when the handle is inserted therein, substantially as specified. (2.) In means for attaching the handles of bakers' peels, a socket formed with parallel sides and extending inwards from one end of the blade, recesses in the faces of the socket, and a hole extending inwards from the end thereof, in combination with an end of the handle formed to fit the socket provided with flat springs secured upon each side thereof, and with a pin projecting longitudinally from its end, substantially as and for the purposes specified.

(Specification, 2s. 6d.; drawing, 1s.)

No. 18954.—7th January, 1905.—ALEXANDER STORRIE, of Invercargill, New Zealand, Agricultural-Implement Maker. An improved lifting and pressure device for turnip-ridgers.*

Claims.—(1.) The employment upon a combined ridger of apparatus for applying spring pressure to the roller-frame, substantially as and for the purposes specified, and as illustrated in the drawing. (2.) The employment upon a combined ridger of apparatus for applying pressure to the roller-frame, said apparatus being operated from the main handle-lever of the implement, said lever being employed for raising the furrowers and rollers, and also for putting the furrowers into and the rollers upon the ground, and applying pressure to said rollers, substantially as specified, and as illustrated in the drawing. (3.) An improved lifting and pressure device for turnip-ridgers consisting of the parts constructed, arranged, combined, and operating substantially as and for the purposes specified, and as illustrated in the drawing.

(Specification, 3s.; drawing, 1s.)

No. 18974.—16th January, 1905.—FREDERICK JOHN FARRELL, of Stokes Road, Mount Eden, Auckland, New Zealand, Auctioneer. A mechanical attachment to telephones for an automatic fire or other alarm.*

Claims.—(1.) In combination with a telephone, an electromagnet adapted to be energised by the automatic completion of a circuit, spring-controlled mechanism connected with the call apparatus of the telephone, and a spring armature normally engaging with and preventing the movement of the mechanism, and adapted to free such mechanism upon the energising of the magnet, substantially as and for the purposes specified. (2.) In combination with a telephone, a spring-controlled mechanism actuating a spindle connected with the call apparatus of the telephone, an electro-magnet adapted to be energised upon the completion of a circuit, and a spring armature mounted upon the mechanism and provided with a tooth normally kept in engagement with and holding the mechanism and adapted to be drawn towards the magnet, so as to free such mechanism upon the energising of the magnet, substantially as and for the purposes specified. (3.) The general arrangement, construction, and combination in my mechanical attachment to telephones for an automatic fire or other alarm, substantially as described and explained, as illustrated in the drawings, and for the several purposes set forth.

(Specification, 3s. 6d.; drawing, 1s.)

No. 19007.—26th January, 1905.—WILLIAM EDWARD SPENCER, Inspector of Schools, and JAMES SANDERSON, Architect, both of New Plymouth, New Zealand. Window-blind retainer.*

Claim.—The casing A with the screw B and the travelling nut C to which the wire is attached.

(Specification, 1s.; drawing, 1s.)

No. 19015. — 1st February, 1905. — FRANCIS HENRY COOPER, of Wellington, New Zealand, Tramway Conductor. Means for controlling the trolley-poles of tramway-cars.*

Extract from Specification.—The invention consists in the provision of spring-actuated winding-mechanism attached to the end of the car and to which the trolley-pole rope is connected. These means are adapted, when freed to act, to pull upon such rope and wind it upon a reel. They are, however, prevented from acting in the normal condition by a depending lever engaging with a stud. This lever depends in front of an electro-magnet which normally is quiet, but which when energised shall draw the lever towards it so as to free the spring winding-mechanism and allow it to act. The energising of the magnet depends upon the automatic completion of an electric circuit, which circuit is completed by means attached to the trolley-head when such head leaves the conductor wire.

[NOTE.—The above extract from the specification is inserted in place of the claims.]

(Specification, 7s. 6d.; drawing, 1s.)

No. 19029. — 1st February, 1905. — WILLIAM FREDERIC LIETZ, of 35, Moray Place, Dunedin, New Zealand, Engineer. Improvements in portable receptacles.*

Claims.—(1.) A portable receptacle, substantially as described, and illustrated in the drawings. (2.) A sheet of suitable material cut to shape and creased as described, and illustrated in Fig. 1 of the drawings, substantially as and for the purposes set forth. (3.) In a portable receptacle, a handle consisting of a continuous length of flexible material passing through eyelets or the like in the sides of the receptacle, and adapted to hold the cover of the receptacle closed, substantially as described.

(Specification, 2s. 6d.; drawing, 1s.)

No. 19030. — 1st February, 1905. — JAMES HUSBAND MCFARLANE, of East Devonport, Tasmania, Australia, Architect. Improved side-lever pedal-gear for cycles.*

Extract from Specification.—This invention consists of improved side-lever pedal-gear for cycles in which the hinged end of each side lever is carried by a spring-post and the link connection between the crank and side lever is furnished with a spring buffer or tappet which at certain positions of the revolution of the crank bear hard on the pedal lever and assist in carrying the crank over its dead centres.

[NOTE.—The above extract from the specification is inserted in place of the claims.]

(Specification, 3s. 9d.; drawing, 1s.)

No. 19040. — 7th February, 1905. — ROBERT SCOBIE, of Wright's Bush, Southland, New Zealand, Labourer. Improved means for securing coulters to plough-beams.*

Claims.—(1.) For the purpose indicated, in combination, a clamp, a wedge and set-screw for securing it upon a plough-beam, a boss carried within said clamp adapted to receive the stock of a swivel coulters, and a set-screw in said boss for securing said stock therein, substantially as specified. (2.) Improved means for securing coulters to plough-beams consisting of the parts arranged, combined, and operating substantially as and for the purposes specified, and as illustrated in the drawing.

(Specification, 2s.; drawing, 1s.)

No. 19067. — 13th February, 1905. — SAMUEL McCULLY, of Seadown, New Zealand, Farmer. An improved solution for destroying sweetbriar, Californian thistle, and other noxious weeds.*

Claims.—(1.) For the purpose indicated, a mixture consisting and made up of kerosene, turpentine, common salt, and sulphur in solution, in the proportions substantially as set forth. (2.) For the purpose indicated, a mixture consisting and made up of kerosene, turpentine, common salt, and sulphur, which latter ingredient is dissolved in a mixture of carbolic oil and oil of eucalyptus before being added to the bulk, in the proportions substantially as set forth.

(Specification, 1s. 3d.)

No. 19125. — 20th February, 1905. — FREDRICK WALTER PATTERSON, of Dunedin, New Zealand, Boatbuilder. Improvements in jug-covers.*

Claims.—(1.) A jug-cover consisting of a perforated plate formed to lie loosely on and cover the mouth of the jug, and

spring clips secured to the plate and adapted to be sprung inside or over the mouth of the jug so as to hold the plate in position, substantially as described. (2.) Improvements in jug-covers, substantially as described, and illustrated in the drawings.

(Specification, 2s.; drawing, 1s.)

No. 19127. — 21st February, 1905. — WILLIAM EDWARD CATESBY, JAMES TARRAN CATESBY, and ALFRED GEORGE CATESBY, trading as "Catesby and Sons," of 61-67, Tottenham Court Road, London, England, Manufacturers. An improvement relating to linoleum, carpets, and other similar floor-coverings.*

Extract from Specification.—According to this invention, corner squares *a* are employed which are designed and fashioned in accordance with the pattern of the border *b*, so that the pattern matches where said square meets the border, and gives to the whole a superior finished and neat appearance.

[NOTE.—The above extract from the specification is inserted in place of the claims.]

(Specification, 2s. 3d.; drawing, 1s.)

No. 19167. — 6th March, 1905. — JAMES GRAY, of Dunedin New Zealand, Engineer. Improvements in machines for sowing seeds, manure, and the like.*

Extract from Specification.—According hereto a seed-hopper is provided with trunnions by which the hopper is carried upon brackets attached to the machine. The trunnions are placed near the top of the hopper, whereby it always maintains a vertical position when travelling over uneven country. The seed-drum is carried on a shaft mounted in brackets fixed to the bottom of the hopper, said shaft being driven by sprocket wheels and chain from a shaft passing through the trunnions of the hopper.

[NOTE.—The above extract from the specification is inserted in place of the claims.]

(Specification, 2s. 3d.; drawing, 1s.)

No. 19198. — 13th March, 1905. — JAMES OLIVER GALLAGHER, of 32, Adelaide Road, Wellington, New Zealand, Draughtsman. Improvements in hollow building-blocks.*

Claim.—A hollow building-block with back and front parts connected and kept apart with iron or other approved ties so as to form a complete cavity between the said parts, substantially as described.

(Specification, 1s. 3d.; drawing, 1s.)

No. 19463. — 29th November, 1905. — ALFRED EDWARD COCKER, of Timaru, New Zealand, Labourer (assignee of William George Coker, of Timaru aforesaid, Labourer). Improved means for removing the wool from sheep and lamb skins and skin-pieces.

Claim.—For the purpose indicated, the use of caustic soda and nitre dissolved in water in the proportions as specified, and applied in the manner set forth and explained.

(Specification, 1s. 3d.)

No. 19650. — 28th June, 1905. — CARL ADOLPH SAHLSTROM, of Ottawa, Ontario, Canada, Engineer. New and useful improvements in electrical ozonizers.

Extract from Specification.—My invention relates to improvements in electrical ozonizers; and the objects of my invention are to provide a cheap and simple device by means of which the oxygen of the air, or a very large proportion thereof, may be conveniently converted into ozone, further objects being to devise simple means for causing the circulation of air through the apparatus and for directing the current of ozone to the desired places; and it consists essentially of an electrode, or a plurality of electrodes, each consisting of a sheet of glass or other insulating material, a number of points all connected electrically at their bases and in contact with the glass at their bent ends, a suitable sheet of gauze or a similar set of points on the other side of the glass, and means for electrically connecting one of said terminals or electrodes on each side of the glass to the leads from a suitable source of power, whereby when the circuit is completed the current will be caused to pass from the points through the glass, and the electrical discharge taking place at every point will convert the oxygen in the vicinity of such point into ozone, the various details being constructed and arranged as more particularly described.

[NOTE.—The above extract from the specification is inserted in place of the claims.]

(Specification, 7s. 6d.; drawing, 2s.)

No. 19685.—6th July, 1905.—FRANK GEORGE PRICE, of 31, Dalhousie Square, Calcutta, British India, Engineer. A device for retarding corrosion and preventing leakage round bolt-holes in corrugated sheeting.

Extract from Specification.—I employ a pressed or otherwise formed circular hollow metal dome having a hole in its centre for the reception of a bolt.

[NOTE.—The above extract from the specification is inserted in place of the claims.]

(Specification, 4s. 6d.; drawing, 1s.)

No. 19709.—10th July, 1905.—ALFRED JAMES BORDER, of 8, Charlton Street, Christchurch, New Zealand, Engineer. An improved station-indicator.*

Extract from Specification.—My invention consists of a framework in which is a central spindle. Said spindle carries drums, one at each end thereof, each having two circumferential grooves. Pivotaly attached to the drums at regular intervals alternately in the grooves are H-shaped links or skeleton flaps which are capable of swinging forward as the spindle and drums revolve. Mounted in the end of each link is a slot or card bearing the name of a stopping-place, which is made to appear opposite a sight-slot in the box or container by means of suitable apparatus to be described.

[NOTE.—The above extract from the specification is inserted in place of the claims.]

(Specification, 5s.; drawings, 2s.)

No. 19721.—13th July, 1905.—REGINALD VICTOR POCOCK, of Ashburton, New Zealand, Farmer. Improvements connected with plough-coulters.*

Claims.—(1.) The general arrangement, construction, and combination of parts constituting my improvements relating to plough-coulters, substantially as described and illustrated. (2.) In a plough, a cutting-plate secured vertically in the forward part of the share so as to constitute a coultter, as and for the purpose specified. (3.) In a plough, a cutting-plate secured vertically in the forward part of the share so as to act as a coultter, in combination with a ridge as 5 formed in the share and inclining upwards towards the cutting edge of the coultter, as described and shown.

(Specification, 2s.; drawing, 1s.)

No. 19891.—17th August, 1905.—THOMAS FREDERICK BROWN, of 4, Linda Street, Coburg, Victoria, Australia, Manufacturer, DAVID SOLOMON, of 49, Elizabeth Street, Melbourne, Victoria, aforesaid, General Agent, and JOSEPH SOLOMON, of 49, Elizabeth Street aforesaid, General Agent. Interlocked studies house.*

Extracts from Specification.—The floor is formed with small strips of wood joined together sideways with nails, screws, or glue, forming one whole piece, thus requiring less joists.

The walls are so constructed that they require no studs, being laid together with lateral pieces of wood, together with pieces of wood of the same size placed at right angles from the lateral pieces, which form an ideal plaster-bed, and is then plastered. . . . The roof is constructed with or without rafters; if with rafters, in the usual way; if without rafters, by making a framework of 3 in. by 1 in. or any suitable size, divided by suitable size blocks at intervals of from 15 in., or more or less, as required, the whole being placed on wall-plates and overlaid with asphalt.

[NOTE.—The above extracts from the specification are inserted in place of the claims.]

(Specification, 3s. 6d.; drawing, 1s.)

No. 19925.—23rd August, 1905.—ALFRED TAYLOR, of 43, First Street, Victoria, British Columbia, Canada, Mechanical Engineer, JOHN MOUNT LANGLEY, of 223, Fort Street, Victoria aforesaid, Chief of Police, and NATHANIEL ANDREW McDOWELL, of 94, Superior Street, Victoria aforesaid, Dray Proprietor. Automatic fire-alarms.

Extract from Specification.—In these drawings 2 represents a shallow cylindrical metallic vessel, within which is hermetically sealed a volatile material which at the desired limit of temperature will afford the necessary expansion to effect the purpose. The ends 3 of this chamber 2 are edge-bound to a sufficient extent to impart a slight convexity to them (the amount of which is exaggerated in the drawing), and this convexity under normal conditions is directed inward, as shown by the full lines in the drawing; but when a pressure sufficient to overcome the edge-tension of the ends is generated within the chamber by the volatilisation of the

material therein the convexity of the ends will be bulged or forced outward and the axial length of the chamber increased, as indicated by dot-and-dash lines in Fig. 1.

[NOTE.—The above extract from the specification is inserted in place of the claims.]

(Specification, 6s. 6d.; drawing, 1s.)

No. 20064.—21st September, 1905.—PATRICK HENRY O'KEEFFE, of Ramornie, South Grafton, New South Wales, Australia, Extract-maker. Improvements in the salting or corning of meat.

Claims.—(1.) In the salting or corning of meat, the preliminary obtaining of a meat-juice or stock solution, in the manner and for the purposes set forth, substantially as described and explained. (2.) In the salting or corning of meat, the obtaining of a meat-juice or stock solution by the soaking of raw meat in cold water, the parboiling of such meat, and its further soaking in the first resultant liquid with saltpetre added, and the boiling and straining of the final resultant, substantially as described and explained. (3.) In the salting or corning of meat, the admixture in undiluted meat-juice or stock solution as set forth of the solid ingredients to form the pickle, substantially as described and explained. (4.) In the corning or salting of meat, cooking and pickling the meat by boiling it in dilute meat-juice or stock solution, as set forth, substantially as described and explained. (5.) In the corning or salting of meat, pickling parboiled or soiled meat (from which meat-extract has been obtained) by boiling it in meat-juice or stock solution, as set forth, substantially as described and explained.

(Specification, 3s. 6d.)

No. 20205.—18th October, 1905.—DANIEL BUCKLEY, of Highbank, Rakaia, New Zealand, Farmer. Improvements relating to skeith-buckles.

Claim.—A buckle for a swivelling skeith, consisting of a casting as 2, a rocking-plate that is adapted to pivot on the plough-beam, and eyebolts that pass through the said plate and casting and hold those two parts together, while at the same time the skeith-shank is supported in the eyes of the bolts, all as explained and illustrated, and operating as set forth.

(Specification, 2s.; drawing, 1s.)

No. 20236.—27th October, 1905.—BASIL LUCAS DONNE, of 71, Wellington Terrace, Wellington, New Zealand, Indent and Importing Agent (nominee of T. D. McCall, of 7, Monroe Street, Chicago, United States of America). An improved sleeping-tent.

Extract from Specification.—In carrying out my invention the floor A of the tent is shaped as a rectangle, and having attached at each end a triangular section C with two segmental sections D joined thereto, and the said section D having curved edges with fastening-devices K attached to same, &c.

[NOTE.—The above extract from the specification is inserted in place of the claims.]

(Specification, 2s. 6d.; drawing, 1s.)

No. 20238.—27th October, 1905.—BASIL EDWARD SEYMOUR STOCKER, of Wellington, New Zealand, Civil Servant. A cleaner for rifles and shot-guns.

Claim.—A cleaner for the barrels of rifles and shot-guns, the same consisting essentially of a length of thin flexible wire rope to which suitable cleaning-devices are adapted to be fastened, substantially as specified.

(Specification, 2s. 9d.; drawing, 1s.)

No. 20247.—30th October, 1905.—GEORGE CRADOCK, of Bolton Lodge, Bolton Percy, York, England, Wire-rope Manufacturer. Improvements in or relating to rope or cable grips employed in underground, or surface, or overhead haulage.

Claims.—(1.) In a haulage-clip of the type comprising cheeks adapted to be forced together or closed by a lever adapted to rotate lugs co-operating with cams on the cheeks, providing an additional lug or lugs, and cam or cams for positively and rapidly opening the clip. (2.) An improved clip adapted to be both positively opened and closed, substantially as described, and as illustrated by Figs. 1 to 9 of the drawings. (3.) The improved clip adapted to be both

positively opened and closed, substantially as described, and as illustrated by Figs. 10 and 11 of the drawings.
(Specification, 5s.; drawing, 2s.)

No. 20250.—30th October, 1905.—JOHN THOMPSON STEELE, of Hove Dene, 60, Oakfield Road, West Croydon, Surrey, England, Secretary to a Public Company. Loose-leaf account-books, order-books, and similar volumes.

Claims.—(1.) A locking-post for a loose-leaf book having a key-operated lock in the head of the same whereby it is retained in place, substantially as set forth, and as illustrated in Figs. 1 to 5 of the drawings. (2.) In a loose-leaf book, retaining the locking-post by a lock in the top of the book adjacent to the post-hole, substantially as set forth, and as shown in Figs. 6, 7, and 8 of the drawings. (3.) In loose-leaf books fitted with telescoping spring-posts, steadying the movement of the rack by combining with said rack a pinion, substantially as specified. (4.) The mechanism for steadying a single rack in a loose-leaf book, and means for releasing and stopping such mechanism arranged and operating substantially as shown in Fig. 11 of the drawings. (5.) The mechanism for steadying a double rack in a loose-leaf book, and means for releasing and stopping the same, substantially as shown in Fig. 12 of the drawings.

(Specification, 8s.; drawing, 4s.)

No. 20251.—2nd November, 1904.—FRANCIS ERNEST DUNNETT, of 7, King Street, Cheapside, London, England, Engineer. A new or improved non-corrosive and anti-fouling paint or composition.

Claims.—(1.) A non-corrosive and anti-fouling paint or composition comprising petrolatum, asphaltum, wood-tar, and a colouring matter. (2.) A non-dessicant, anti-fouling, and non-corrosive paint having petrolatum as its principal ingredient. (3.) A non-corrosive and anti-fouling paint or composition, consisting of petrolatum, 80 parts or thereby; asphaltum, 10 parts or thereby; wood-tar, 7 parts or thereby; and Paris green or other pigment, 3 parts or thereby. (4.) A non-corrosive anti-fouling paint or composition compound, substantially as described.

[NOTE.—This is an application under section 106 of the Act, the date given being the official date of the application in Great Britain.]

(Specification, 2s. 3d.)

No. 20261.—1st December, 1905.—FREDERICK RICH, of Rushworth, Victoria, Australia, Agent, and GEORGE FREDERICK WALBRAN, of 50, Wattletree Road, Malvern, Victoria aforesaid, Clerk. Improvements in pneumatic-tire inflation-valves.

Claims.—(1.) A pneumatic-tire inflation-valve having a nozzle directed at an obtuse angle to its stem, as described. (2.) A pneumatic-tire inflation-valve having a nozzle movable for inflation purposes so as to be directable at an obtuse angle to the stem and outwardly of the wheel, and also adjustable so as not to point outwards.

(Specification, 2s.; drawing, 1s.)

No. 20262.—1st November, 1905.—GRANVILLE WILLIAM JOHN WHITE, of Belmore Road, Ryde, New South Wales, Australia, Engineer. Improvements relating to exhaust-steam superheaters.

Extract from Specification.—In the general disposition of its parts provision is made for the interposition between divided portions of the exhaust-pipe of a steam-diffusion chamber. The base plate of such chamber carries the inlet portion, and the crown plate the outlet portion, of the divided exhaust pipe or pipes. The crown plate is also pierced to receive any desired number of tubes which encircle the proximate part of the exhaust-pipe. It is through these tubes, as well as the centrally situated outlet pipe, that the steam passes after its diffusion within the chamber. These parts are wholly enclosed with an outer casing supported upon and attached to a bottom flange or foundation plate. Such flange likewise supports the inlet portion of the divided exhaust-pipe; it also forms the bottom of a sediment-chamber, which is separated from the main circulating part of the heater by the diffusion-chamber, a diminished annular space connecting the two parts. The casing is provided with a removable cover pierced to receive the upwardly projecting tubes and exhaust-pipe, and may be secured with the clamping-nuts fixed upon the ends of the tubes, or separate bolts may be provided for the purpose. The clamping-nuts of the tubes are constructed to allow the free exit of the steam, the outlet-orifice being shaped to any suitable design

to direct or divert the flow of the escaping steam as may be desired. Inlet and outlet connections are provided for filling, circulating, discharging, and cleansing the superheater. At any suitable part of the casing a gauge-glass is fixed, adapted to enclose a thermometer to ascertain the temperature of the heated water.

[NOTE.—The above extract from the specification is inserted in place of the claims.]

(Specification, 8s.; drawings, 2s.)

No. 20263.—1st November, 1905.—ERIC GUSTAF ADOLF BRATTSTROM, of No. 31, Queen Street, Melbourne, Victoria, Australia, Manager (nominee of Aktiebolaget Lux, of 3, Fabriksgrand, Stockholm, Sweden—assignees of Sven Carlsson, of Valhallavagen 93, Stockholm aforesaid, Doctor of Philosophy). Improvements relating to petroleum and like lamps.

Claims.—(1.) An improved spirit-igniter for petroleum-lamps, consisting of at least two annular cups or troughs arranged around the vaporising-tube, and superposed one above the others so that the spirit from an upper cup or trough can be caught by one underneath, for the purpose of affording a large surface of combustion to the spirit and thus attaining a rapid heating of the vaporiser so that the lamp can be quickly lighted, substantially as described. (2.) An improved spirit-igniter consisting of two annular cups or troughs around the vaporising-tube and a perforated partition surrounding the vaporiser between the two cups or troughs, said partition forming support for a number of wicks or other porous material, or being itself made of some such material, adapted to absorb a portion of the spirit flowing down from the upper trough, and on ignition increase the combustion surface of the burning spirit, thus hastening the heating of the vaporiser, substantially as described.

(Specification, 3s. 3d.; drawing, 1s.)

No. 20266.—30th October, 1905.—JOHN MCCARTHY, of Auckland, New Zealand, Carpenter. An improved easy and folding chair.

Claim.—The combination in the improved easy and folding chair specified of the legs crossed and held together by the pins, bars, and rod stated, the back frame extending upwardly from the back tops of two of said legs, connected by pins, nuts, and bars, the leg-rest connected to and extending downwardly from the front tops of the other two of said legs, the batten-support fitted to said leg-rest, foot-rest hinged to said batten-support, coiled spring fitted to both batten-support and foot-rest, hooks and pins for holding said foot-rest extended out from said leg-rest, arm-rests connecting said back frame to tops of said leg-rest, and carpet or canvas stretched from bar at top of said back frame round other said bars to front bar connecting front tops of the other two of said legs, for the purpose set forth, substantially as described and illustrated.

(Specification, 2s. 9d.; drawing, 1s.)

No. 20280.—6th November, 1905.—JOHN O'NEIL, of Colombo Street, Christchurch, New Zealand, Hotelkeeper. Improvements in and relating to windmills.

Extract from Specification.—According hereto the wind-mill is mounted upon a horizontal shaft which has an adjustable thrust-screw fitting into its end opposite to the wheel, and which is mounted in bearings provided with oil-wells. Chains or rings carried in recesses upon the shaft depend into the oil-vessels, and as the shaft revolves deliver oil to the bearings. A bevel pinion upon this spindle gears with a bevel wheel fixed upon the end of a vertical shaft, which is connected by gearing to a horizontal shaft carrying a crank-disc, the crank-pin of which is connected to a rod actuating the pump-plunger. The bearings of the wheel-shaft are fixed upon a table which is revolvable upon ball bearings, and a column fixed to and revolving the table has at its lower end guide-rods upon which work a flange integral with a sleeve sliding upon the vertical spindle referred to, said sleeve being operated vertically by a fork. To this sleeve is connected a rope, preferably of wire, which passes over pulleys and is fastened to the tail of the mill so that the wheel may be drawn out of the wind when desired. A curved guide-rod passing through a hole in the table has a spring threaded upon it at each end to provide a buffer when the tail is blown round by a keen gust of wind.

[NOTE.—The above extract from the specification is inserted in place of the claims.]

(Specification, 5s. 6d.; drawing, 2s.)

No. 20290.—10th November, 1905.—GEORGE JAMES HENDERSON, of Marrickville Avenue, Marrickville, near Sydney, New South Wales, Australia, Engineer. Means serviceable for making filled capsules.

Extract from Specification.—This invention has for its object the rapid and adequate production of capsules (to be used for medicinal purposes) from gelatinous compounds, with the aid of appliances capable of moulding, congealing, and filling them, whereby they may be completed ready for use. Such appliances comprise a container for liquefying the compound, modelling stems with holder or foundation plate for shaping the capsules, means for rapidly cooling the globular envelopes, trays for supporting the capsules during contraction after removal from the cores, and an adjustable filler adapted to discharge its contents into the capsules, the use of such appliances being essential in the order named to insure satisfactory results.

[NOTE.—The above extract from the specification is inserted in place of the claims.]

(Specification, 5s. 6d.; drawings, 3s.)

No. 20294.—10th November, 1905.—WILLIAM ANDREW HARDIE CAMERON, Book-keeper, and JAMES WISEMAN MARSHALL, Watchmaker and Jeweller, both of Wellington, New South Wales, Australia. Machine for washing drinking-glasses.

Claim.—In a machine for washing table or other glasses, a bowl open at the top, an axial spindle such as G, a motor for rotating the same, a removable brush spindle such as H adapted to rotate with the motor spindle, means for filling the bowl with water, means for conveying away any surplus water from the bowl, means for emptying the bowl, and a sink below to convey away the water that has been used, as and for the several purposes specified.

(Specification, 2s. 3d.; drawing, 1s.)

No. 20296.—10th November, 1905.—WILLIAM CHARLES PAGE, of Eltham, New Zealand, Builder. Improvements in or relating to means for securing vehicle-wheels upon their axles.

Claims.—(1.) In means for securing the wheels of vehicles upon their axles, in combination, a collar formed upon the axle, an annular recess formed within the wheel-hub and adapted to receive the collar, a portion overhanging such recess formed with a threaded outer periphery and with notches at intervals around its rear face, a cap formed with a bearing loosely surrounding the axle and with an internally threaded overhanging portion adapted to screw upon the threaded portion of the hub and to enclose the collar on the axle, and a spring-controlled pin passing through the cap and adapted to engage with one or other of the notches formed in the back face of the hub, substantially as specified. (2.) The general arrangement, construction, and combination of parts in my "Improvements in or relating to means for securing vehicle-wheels upon their axles," as described and explained, as illustrated in the drawings, and for the several purposes set forth.

(Specification, 4s.; drawing, 1s.)

No. 20299.—8th November, 1905.—WILLIAM CHAPPELL, of Puhoi, Auckland, New Zealand, Teacher. An instrument for measuring the sun's altitude, measuring the rate of the earth's rotation, and for indicating the different effect of vertical and oblique solar rays.

Extract from Specification.—The purpose of this invention is to measure the sun's altitude, to measure the rate of the earth's rotation, and to indicate the different effect of vertical and oblique solar rays. The invention consists primarily of a semicircle marked with a graduated scale of 180 degrees, from 0 to 180, mounted on a base, an indicator, a brass plate, and other parts described.

[NOTE.—The above extract from the specification is inserted in place of the claims.]

(Specification, 4s. 6d.; drawing, 1s.)

An asterisk (*) denotes the complete specification of an invention for which a provisional specification has been already lodged.

NOTE.—The cost of copying the specification and drawing has been inserted after the notice of each application. An order for a copy or copies should be accompanied by a post-office order or postal note for the cost of copying.

The date of acceptance of each application is given after the number.

Extracts from the drawings accompanying the foregoing complete specifications appear at the end of this Gazette.

F. WALDEGRAVE,
Registrar.

Provisional Specifications accepted.

Patent Office,
Wellington, 13th December, 1905.

APPLICATIONS for Letters Patent, with provisional specifications, have been accepted as under:—

- No. 18829.—J. C. Legg, attaching handles of bakers peels.
No. 20147.—R. Williams, oil-filter.
No. 20156.—E. O. Clarke, earthenware kiln.
No. 20243.—W. Smith, vehicle and horse stopper.
No. 20303.—A. F. Billing, finger-print album.
No. 20315.—R. Coates, J. Lees, and L. E. de Mole, butter provision, and liquid cooler.
No. 20320.—R. Weston, cycle-pedal strap.
No. 20324.—D. Urquhart and C. Sloper, removing wool from skins.
No. 20335.—J. R. Park, shackle. (W. Beamish.)
No. 20340.—E. G. Gresham, dental plate.
No. 20341.—E. G. Gresham, dental instrument.
No. 20342.—J. Trounson, scrub and fern cutter.
No. 20345.—C. Rutland and T. J. Hardwick, metallic cycle-inflator connection.
No. 20352.—W. R. Garner, compound cycle gear.
No. 20354.—M. Heeb, turbine.
No. 20365.—D. T. McPhedran, music-desk for piano.
No. 20368.—A. W. Loone, bicycle toe-clip. (W. Kilworth.)
No. 20370.—T. Samuel, elevating and concentrating black sand.
No. 20373.—L. H. Burgoyne, game.
No. 20374.—J. N. McConnell, cigarette maker and advertiser.
No. 20376.—G. B. Holmes and A. D. Allen, trolley-head.
No. 20377.—C. Slemitz, spray-pump.
No. 20378.—A. G. French, Manufacture of Portland and Roman cements.
No. 20380.—T. G. Haigh, whisking-machine.
No. 20382.—P. A. N. Smith and W. B. Brain, electrical and oil motor car.
No. 20387.—A. R. Angus, railway-brake.
No. 20388.—A. R. Angus, railway-brake.
No. 20389.—A. R. Angus, railway-brake.
No. 20390.—F. Staines, shelling peas and pod beans.
No. 20392.—J. Glossop, boring apparatus.
No. 20407.—J. S. Maclaurin and W. S. La Trobe, dried milk manufacture.

NOTE.—Provisional specifications cannot be inspected, or their contents made known by this office in any way, until the complete specifications in connection therewith have been accepted.

Letters Patent sealed.

LIST of Letters Patent sealed from the 29th November to the 13th December, 1905, inclusive:—

- No. 18207.—H. Mowlem, opening envelopes, &c.
No. 18252.—G. E. Bailey, advertising.
No. 18337.—E. Moss, stamping letters, &c.
No. 18377.—J. C. P. Kirkwood, electric arc-lamp.
No. 18380.—W. W. Pilkington and L. N. Natrass, churn.
No. 18393.—G. A. Abbott, filter.
No. 18408.—W. Quin, receipt and cheque form.
No. 18434.—M. Ryan, gold saving.
No. 18441.—A. O. and W. J. Grundy, fixing handles to buckets, &c.
No. 18644.—W. E. Walker, ventilating-sashes.
No. 18682.—F. de J. Clere, weatherboards.
No. 18690.—United Shoe Machinery Company, sole-leveling machine. (E. E. Winkley.)
No. 18691.—United Shoe Machinery Company, welt-operating machine. (J. B. Hadaway.)
No. 18752.—United Shoe Machinery Company, nail-driving machine. (W. R. Barclay and A. Bates.)
No. 18931.—H. C. and U. Ciantar, extracting gold.
No. 19150.—W. Burrell and W. McMeekin, packing rabbits.
No. 19663.—T. S. Anderson, smelting ores, &c.
No. 19665.—S. Wohle, scouring wool.
No. 19666.—R. C. Lowry, magnetic adhesion between wheels and rails.
No. 19668.—Mergenthaler Linotype Company, linotype machines. (F. E. Bright.)
No. 19684.—R. H. Cooke, boot-upper.
No. 19707.—C. E. Hibberd, coin-freed machine.
No. 19761.—W. Schmidt, packing piston slide-valve.
No. 19766.—P. S. Triggs, disintegrating machine.
No. 19767.—W. Schmidt, tube boiler.
No. 19768.—W. Schmidt, boiler-superheater.
No. 19793.—H. Quertier, trolley-pole for electric traction.
No. 19828.—E. Resch, bottle-clip. (J. J. McGarry.)
No. 19829.—W. Schmidt, superheater.
No. 19838.—F. A. Kjellin, electric furnace.
No. 19848.—E. J. Chambers, pipes and tubes for electrical cable,

- No. 19849.—Marconi's Wireless Telegraph Company Limited, electric current. (J. A. Fleming.)
 No. 19850.—W. F. Williams, raising and lowering windows.
 No. 19853.—The Mond Nickel Company, Limited, obtaining nickel from nickel-carbonyl. (C. Langer.)
 No. 19854.—The Mond Nickel Company, Limited, treating nickel ores. (C. Langer.)
 No. 19855.—Aktiebolaget Lux, Limited, valve. (F. J. H. Rustige.)
 No. 19856.—B. S. Nicholls, J. H. Nicholls, and C. A. Bennett, boiler.
 No. 19922.—E. Taylor, syphon.

Letters Patent on which Fees have been paid.

[NOTE.—The dates are those of the payments.]

SECOND-TERM FEES.

- N**O. 14219.—W. T. Riley, wire mattress. 7th December, 1905.
 No. 14306.—J. B. Jackson, earth-scoop. 29th November, 1905.
 No. 14311.—J. F. Martin, cocks and taps. 7th December, 1905.
 No. 14356.—I. A. Timmis, railway bogie. 7th December, 1905.
 No. 14378.—The British Charrier Wood-carving Company, Limited, wood-carving machine. (L. C. H. Charrier.) 29th November, 1905.
 No. 14410.—The New Gutta Percha Company, Limited, Gutta Percha Substitute. (A. Gentsch.) 6th December, 1905.
 No. 14411.—G. Sweet, manufacture of hollow-ware from clay. 8th December, 1905.

THIRD-TERM FEES.

- No. 11228.—Renboj Syndicate, Limited, sheep-brand. (G. Renner and W. H. Boyens.) 9th December, 1905.
 No. 11307.—J. E. Kingsbury, telephone system. 29th November, 1905.
 No. 11308.—J. E. Kingsbury, telephone system. 29th November, 1905.
 No. 11327.—J. E. Kingsbury, telephone system. 29th November, 1905.

Subsequent Proprietors of Letters Patent registered.

[NOTE.—The name of the former proprietor is given in brackets; the date is that of registration.]

- N**O. 14309.—Potter's Sulphide-ore Treatment, Limited (registered on the 27th June, 1905), whose registered office is situated at No. 369, Collins Street, in the City of Melbourne, in the State of Victoria. Separating metals from sulphide ores. [Potter's Sulphide-ore Treatment, Limited—C. V. Potter.] 12th December, 1905.
 No. 17464.—De Beauvoir de Lisle, of Waimata Valley, Gisborne, in the Provincial District of Auckland, in the Colony of New Zealand, Sheep-farmer. Edwin Valentine Luttrell, of Gisborne aforesaid, Veterinary Surgeon, and Frederick Irving de Lisle, of Napier, in the Provincial District of Hawke's Bay, in the Colony of New Zealand, District Health Officer. Branding-composition. [De B. de Lisle and E. V. Luttrell.] 12th December, 1905.
 No. 19726.—The British Westinghouse Electric and Manufacturing Company, Limited, of Westinghouse Building, Norfolk Street, Strand, in the City of Westminster, England, Manufacturers. Magnetic railway-brake. [J. P. Campbell—R. Braun.] 12th December, 1905.]

Requests to amend Specifications allowed.

THE request to amend specification No. 18515, "B. J. Mout—Draught-regulator for grates and ranges" (advertised in Supplement to *New Zealand Gazette* No. 91, of the 19th October, 1905) has been allowed.

The request to amend specification No. 18642, "A. and W. Ross—Binder-twine" (advertised in Supplement to *New Zealand Gazette* No. 67, of the 13th July, 1905) has been allowed, excepting as regards the second claim.

Requests to correct clerical errors in Specifications.

NO. 19761.—W. Schmidt.—Piston slide-valve (advertised in Supplement to *New Zealand Gazette* No. 82, of the 7th September, 1905:—

To alter the title in the specification from "Improvements in expanding gas-check devices for piston-slides" to "Improvements in packing check-ring devices for piston-slide valves."

No. 20125.—H. B. Stocks.—Power hammer (advertised in Supplement to *New Zealand Gazette* No. 106, of the 1st December, 1905).

In the drawings in figures 6 and 7 to alter the ports 29 to 29a, in figure 7 to alter numeral 27 to 14, and in figure 19 to alter A⁸ to A⁷.

In the specification, line 20, page 9, add "a" to 29; line 7, page 10, alter 8 to 9; line 8, page 10, add "a" to 29, and erase the words "to the cylinder"; and line 9, page 10, erase 8; line 30, page 10, add "a" to 29; lines 2 and 4, page 11, add "a" to 29 in each case; lines 6 and 7, page 14, alter A⁸ to A⁷ in each case; and line 8, page 14, alter A⁷ to A⁸; line 23, page 15, add "a" to 29; line 7, page 16, add "a" to 29, and insert "and 7" after "in diagrams 6"; line 8, page 16, erase "to 9"; line 16, page 16, add "a" to 29 and erase "to 9," and insert "and 7" in place thereof.

Applications for Letters Patent abandoned.

LIST of applications, with which provisional specifications only have been filed, abandoned (i.e., complete specifications not lodged), from the 30th November to the 13th December, 1905, inclusive:—

- No. 19010.—O. M. J. Olsen, brush-manufacture.
 No. 19013.—J. S. Bryant, draught-regulator for fire-grate.
 No. 19014.—J. S. Bryant, raising invalid from bed.
 No. 19017.—H. I. M. Ross, ball-valve ventilator.
 No. 19018.—G. W. Edwards, flax-washing, &c.
 No. 19025.—R. Chambers, milk-supplying controller for separator.
 No. 19026.—J. Pumeroy, flax-treatment.
 No. 19034.—H. Lightband, strip-cutting machine.
 No. 19035.—H. Akers, flax-treatment.
 No. 19036.—J. Greenslade, spring-wheel.
 No. 19037.—J. Greenslade, spring-wheel.
 No. 19042.—E. G. Gresham, pneumatic knee-ring.
 No. 19043.—T. H. Free, attaching fencing-wire to cement posts.
 No. 19044.—J. Dunbar, window-fastener and ventilator.
 No. 19045.—J. C. Fraser, turbine.
 No. 19046.—F. V. Raymond, flax-milling machinery.
 No. 19048.—R. White, anti-jolting appliance for vehicles.
 No. 19049.—W. H. Terry, couplings for rolling-stock.
 No. 19056.—D. H. Waldie, target.
 No. 19057.—F. Elvines and T. Hall, gold-saving mat.
 No. 19058.—R. Weston, cycle-cuff.
 No. 19059.—T. B. Longstaff and J. D. McNeill, windmill.
 No. 19061.—A. G. Baker, indicator for screw cutting lathe.
 No. 19063.—W. Bennet, catch for boot-heel.
 No. 19068.—C. F. Sievwright, door and window grip.
 No. 19076.—H. Buckeridge, reaper and binder.
 No. 19089.—J. Trevethick, drill for countersinking number of holes.
 No. 19094.—H. Mitchell, testing railway-carriage wheels.
 No. 19114.—G. W. Edwards, flax-treatment. (S. E. Denton.)

Application for Letters Patent void.

APPPLICATIONS for Letters Patent, with which complete specification has been lodged, void, owing to non-acceptance of such complete specification, from the 30th November to the 13th December, 1905, inclusive:—

- No. 18410.—E. C. Cachemaille, paper wrapper.

Applications for Letters Patent lapsed.

LIST of applications lapsed, owing to Letters Patent not being sealed, from the 30th November to the 13th December, 1905, inclusive:—

- No. 17979.—E. G. May, door-holder.
 No. 18000.—A. Svenson.—Game.
 No. 18001.—H. H. Montgomery and A. Masters, blight-destroyer.
 No. 18008.—W. White, fencing standard.

Letters Patent void.

LETTERS Patent void through non-payment of renewal fees, and through expiry of term of fourteen years, from the 30th November to the 13th December, 1905, inclusive:—

THROUGH NON-PAYMENT OF SECOND-TERM FEES.

- No. 13959.—C. H. Gilby and J. A. Harrow, syphon.
 No. 13965.—A. Goldschmidt, electro hydraulic brake.
 No. 13967.—G. E. Rhodes, horse-race starter.
 No. 13968.—J. A. Belk, window-fastener.

- No. 13970.—R. Sparrow and N. F. Jensen, cycle-brake.
- No. 13985.—W. J. Tranter, brush-handle holder.
- No. 13987.—W. S. Burt, cleaning vessels' hull.
- No. 13990.—R. Cockerell, rope-climber and fire-escape.
- No. 13991.—G. J. Hoskins, making cores for cylindrical castings.
- No. 13993.—The Atlantic Acetylene Burner Company, gas-burner. (J. Harris.)
- No. 13994.—J. P. Goodbun, golf club bag-support.
- No. 13995.—The British Westinghouse Electric and Manufacturing Company, Limited, supporting conductor for electric railway. (W. E. Hughes—W. Chapman.)
- No. 13996.—W. F. Singer, thermostatic switch.
- No. 13998.—The Cereal Sugar Company, refining grape sugar. (W. R. Long.)
- No. 13999.—C. O. Michel, fire-escape ladder.
- No. 14001.—J. D. Dudley, gold-saving appliance.

THROUGH NON-PAYMENT OF THIRD-TERM FEES.

- No. 10925.—C. Anketell, potato-planter.
- No. 10932.—Rothlauf-Serum-Gesellschaft, preparation for rendering swine proof against swine fever. (G. Lorenz.)
- No. 10933.—F. Ellershausen, treating ores.
- No. 10935.—J. Anderson, liquid-measurer.
- No. 10938.—T. C. Enright, gate-fastener.
- No. 10947.—R. Glendining, coat-adjustment. (D. Nable.)
- No. 10978.—L. L. McDermott and J. Peach, cess-pan.

THROUGH EXPIRY OF TERM.

- No. 5323.—J. G. Nash, sheep-shearing machine.
- No. 5335.—H. Pape and W. Henneberg, dry separation of materials.

Design registered.

A DESIGN has been registered in the following name on the date mentioned:—

No. 268.—Thomas Niven Todd, of Manurewa, in the Colony of New Zealand, Clerk. Class 5. 5th December, 1905.

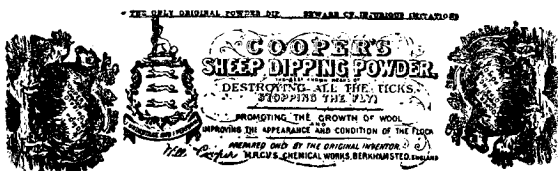
Applications for Registration of Trade Marks.

Patent Office,
Wellington, 13th December, 1905.

APPLICATIONS for registration of the following trade marks have been received. Notice of opposition to the registration of any of these applications may be lodged at this office within two months of the date of this Gazette. Such notice must be in duplicate, and accompanied by a fee of £1.

No. of application : 5208.
Date : 22nd March, 1905.

TRADE MARK.



The applicants claim that the said trade mark has been in use by them in respect of the article mentioned since 1881.

NAME.

COOPER AND NEPHEWS, of Berkhamsted, England.

No. of class : 2.
Description of goods : A sheep-dip.

B

No. of application : 5209.
Date : 22nd March, 1905.

TRADE MARK.



The applicants claim that the said trade mark has been in use by them in respect of the article mentioned since 1881.

NAME.

COOPER AND NEPHEWS, of Berkhamsted, England.

No. of class : 2.
Description of goods : Sheep-dip.

No. of application : 5210.
Date : 22nd March, 1905.

TRADE MARK.



The applicants claim that the said trade mark has been in use by them in respect of the article mentioned since 1881.

NAME.

COOPER AND NEPHEWS, of Berkhamsted, England.

No. of class : 2.
Description of goods : Sheep-dip.

No. of application : 5358.
Date : 28th June, 1905.

TRADE MARK.

The word

KILLEM.

NAME.

EDWARD SHEE EVELYN, of Macquarie Street, Hobart, in the State of Tasmania, Gentleman.

No. of class : 2.
Description of goods : A poison for the destruction of rats.

No. of application : 5519.
Date : 14th September, 1905.

TRADE MARK.

The word

SIDOL.

NAME.

H. L. G. BISSCHOP, of Delft, Holland, Merchant.

No. of class : 50 (subsection 6).
Description of goods : Metal polish.

No. of application : 5532.
Date : 20th September, 1905.

TRADE MARK.



The essential particulars of this trade mark are the word "Saxon" and the distinctive label; and applicants disclaim any right to the exclusive use of the added matter, except their name and address.

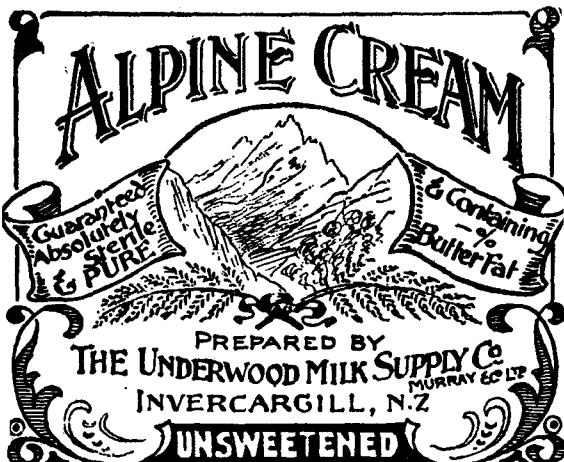
NAME.

W. T. MURRAY AND Co., LIMITED, of Tay Street, Invercargill, in the Colony of New Zealand, Manufacturers.

No. of class : 42.
Description of goods : Preserved milk.

No. of application : 5533.
Date : 20th September, 1905.

TRADE MARK.



The essential particulars of this trade mark are the word "Alpine" and the devices and the distinctive label; and applicants disclaim any right to the exclusive use of the added matter, except their name and address.

NAME.

W. T. MURRAY AND Co., LIMITED, of Tay Street, Invercargill, in the Colony of New Zealand, Manufacturers.

No. of class : 42.
Description of goods : Preserved milk.

No. of application : 5534.
Date : 20th September, 1905.

TRADE MARK.



The essential particulars of this trade mark are the word "Buttercup," the devices, and the distinctive label; and applicants disclaim any right to the exclusive use of the added matter, except their name and address.

NAME.

W. T. MURRAY AND Co., LIMITED, of Tay Street, Invercargill, in the Colony of New Zealand, Manufacturers.

No. of class : 42.
Description of goods : Preserved milk.

No. of application : 5617.
Date : 2nd November, 1905.

TRADE MARK.

The word

Oberon

NAME.

GEORG H. ALBERTI, of No. 25-27, Ferdinand Strasse, Hamburg, Germany, Import and Export Merchant.

No. of class : 9.
Description of goods : Musical instruments.

No. of application : 5619.

Date : 2nd November, 1905.

TRADE MARK.



GARTON'S
H.P.
SAUCE

Certificate of Analysis.

Dear Sirs,
I beg to report that I have analysed the sample of Garton's H. P. Sauce received from you on the 18th inst., and find it to be made from the best materials.

The well-known MIDLAND VINEGAR COMPANY'S Vinegar, than which, in my opinion, there is no better in the market, is used in its preparation. It is of a pleasant and piquant flavour, and is in every respect a thoroughly Good Sauce.

Yours faithfully,
A. De Lank Hill
Genl. Mgr.
M.D., D.P.M., F.I.C.

MIDLAND VINEGAR CO.
BIRMINGHAM
ENGLAND

Registered.



GARTON'S
H.P.
SAUCE



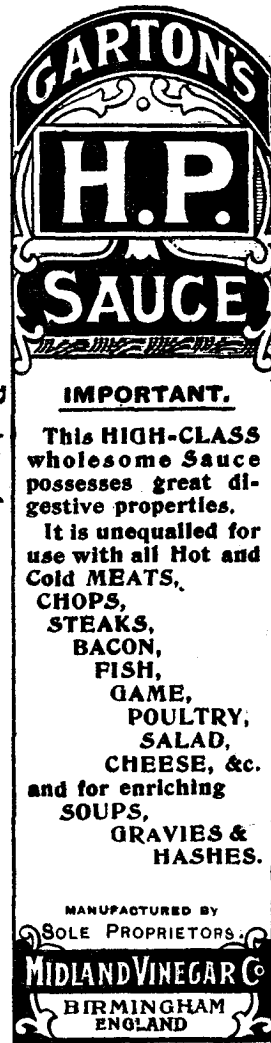
HOUSES OF PARLIAMENT

IS a combination of the choicest
ORIENTAL FRUITS
SPICES AND
PURE MALT VINEGAR

blended with the utmost care to ensure a
DIGESTIVE RELISH even for the most fickle appetite; this object having been attained by years of practical experience in the Sauce Trade.

MANUFACTURED BY
SOLE PROPRIETORS:
MIDLAND VINEGAR CO.
BIRMINGHAM
ENGLAND

Registered.



GARTON'S
H.P.
SAUCE

IMPORTANT.

This **HIGH-CLASS** wholesome Sauce possesses great digestive properties.

It is unequalled for use with all Hot and Cold MEATS, CHOPS, STEAKS, BACON, FISH, GAME, POULTRY, SALAD, CHEESE, &c. and for enriching SOUPS, GRAVIES & HASHES.

MANUFACTURED BY
SOLE PROPRIETORS:
MIDLAND VINEGAR CO.
BIRMINGHAM
ENGLAND

The essential particulars of this trade mark are the view of the British Houses of Parliament, with the letters "H.P."; and any right to the exclusive use of the added matter, except the proprietors' trading styles and address, is disclaimed.

NAME.

EDWARD EASTWOOD and EDWIN SAMSON MOORE, jointly trading as "Midland Vinegar Company," and also as "F. G. Garton and Co.," of Birmingham, County of Warwick, England, Vinegar Brewers and Sauce-manufacturers.

No. of class : 42.

Description of goods : Sauce.

No. of application : 5643.

Date : 14th November, 1905.

TRADE MARK.



The essential particulars of this trade mark are the combination of devices, the circular border, with the internal octagon; and applicants disclaim any right to the exclusive use of the added matter, except as regards their name

NAME.

JAMES CARR AND SONS, of Clarence Mills, Clarence Street, Manchester, England, Manufacturers.

No. of class : 28.

Description of goods : Ladder tapes for venetian blinds.

No. of application : 5653.

Date : 27th November, 1905.

TRADE MARK.

CAR-ARA



PAINT.

The essential particulars of this trade mark are the device and the word "Car-ara"; and any right to the exclusive use of any added matter is disclaimed.

NAME.

KEITH STUART RAMSAY, of Dunedin, in the Colony of New Zealand, Agent, Shipping and for paint, &c.

No. of class: 1.

Description of goods: Paints.

No. of application: 5654.

Date: 28th November, 1905.

TRADE MARK.

The word

ESTRO.

NAME.

R. P. SMITH AND Co., of Feilding, in the Colony of New Zealand, Cycle Dealers.

No. of class: 22.

Description of goods: Bicycles and Motors.

No. of application: 5655.

Date: 29th November, 1905.

TRADE MARK.

The word

ERA

NAME.

HADFIELD'S STEEL FOUNDRY COMPANY, LIMITED, of Hecla Works, Sheffield, England, Manufacturers.

No. of class: 5.

Description of goods: Unwrought and partly wrought metals used in manufacture.

No. of application: 5656.

Date: 29th November, 1905.

TRADE MARK.

The word

ERA.

NAME.

HADFIELD'S STEEL FOUNDRY COMPANY, LIMITED, of Hecla Works, Sheffield, England, Manufacturers.

No. of class: 13.

Description of goods: Metal goods not included in other classes.

No. of application: 5657.

Date: 29th November, 1905.

TRADE MARK.

The word

"SHYINIT."

NAME.

JAMES AGUSTUS BOYD, of 15, Barker Street, Wellington, in the Colony of New Zealand, Painter.

No. of class: 50.

Description of goods: Polish for boots, harness, linoleum, &c.

No. of application: 5658.

Date: 1st December, 1905.

TRADE MARK.

**RISING SUN
SOAP.**
SOLE MAKERS:
**JOHN NEWTON & SON, LIMITED,
KAIWARRA.**

The essential particular of this trade mark is the words "Rising Sun"; and applicants disclaim any right to the exclusive use of any other added matter except their name.

NAME.

JOHN NEWTON AND SON, LIMITED, of Caledonia Soap Works, Kaiwarra, in the Colony of New Zealand.

No. of class: 47.

Description of goods: Common soaps and soap-powders.

No. of application: 5659.

Date: 1st December, 1905.

TRADE MARK.

The word

ANTIENZA.

NAME.

DAVID GLASGOW, 20, Victoria Place, Wellington, in the Colony of New Zealand, Watchmaker and Jeweller.

No. of class: 3.

Description of goods: Patent Medicines.

No. of application : 5660.
Date : 1st December, 1905.

TRADE MARK.
The word
GLADSOME.

NAME.
DAVE AND Co., of Fitzherbert Street, Palmerston North,
in the Colony of New Zealand.

No. of class : 47.
Description of goods : Washing-fluid.

No. of application : 5661.
Date : 1st December, 1905.



NAME.
FRIEDERICK PETER BRENNECKE, of Ferry Road, Christ-
church, in the Colony of New Zealand, Tobacconist.

No. of class : 45.
Description of goods : Cigarettes.

No. of application : 5662.
Date : 4th December, 1905.

TRADE MARK.
The word
PRIMROSE.

NAME.
GOLLEN AND COMPANY, PROPRIETARY, LIMITED, Wellington,
New Zealand; Melbourne, Sydney, and Adelaide, Australia.

No. of class : 42.
Description of goods : Cornflour, salt, olive oil, vinegar,
sugar, preserved meats, cocoanut, coffee.

No. of application : 5665.
Date : 7th December, 1905.

TRADE MARK.
The word
"RINGER."

NAME.
DALGETY AND Co., LIMITED, of Wellington, in the Colony
of New Zealand.

No. of class : 19.
Description of goods : Cartridges.

No. of application : 5666.
Date : 7th December, 1905.



The essential particular of the trade mark is the device ;
and applicants disclaim any right to the exclusive use of the
added matter, except in so far as it consists of their name
and address.

NAME.
WALKER AND HALL, of Electro Works, Sheffield, England,
and elsewhere, Manufacturers of Gold and Silver Plate,
Cutlery, Electro-plate, &c.

No. of class : 50.
Description of goods : Polish, whether paste, powder, or
liquid, for cleaning or polishing silver or other metal goods,
but not for use on furniture or the metal parts thereof, and
not including black-lead, and not including any goods of a
like kind to black-lead.

No. of application : 5668.
Date : 7th December, 1905.



RAVEN

NAME.

LEVER BROS., LIMITED, of Balmain, near Sydney, State of New South Wales, Manufacturers.

No. of class : 47.

Description of goods : Common soap, soap-powders, candles, matches, starch, blue, washing-soda, detergents, and oil for illuminating, heating, or lubricating purposes.

No. of application : 5669.

Date : 7th December, 1905.

TRADE MARK.

(The mark as shown in preceding notice, No. 5668.)

NAME.

LEVER BROS., LIMITED, of Balmain, near Sydney, State of New South Wales, Manufacturers.

No. of class : 48.

Description of goods : Perfumed soap, perfumery, and glycerine for toilet purposes.

No. of application : 5670.

Date : 7th December, 1905.

TRADE MARK.

The word

SKI

NAME.

LEVER BROS., LIMITED, of Balmain, near Sydney, State of New South Wales, Manufacturers.

No. of class : 47.

Description of goods : Common soap, soap-powders, candles, matches, starch, blue, washing-soda, detergents, and oil for illuminating, heating, or lubricating purposes.

No. of application : 5671.

Date : 7th December, 1905.

TRADE MARK.

The word

SKI.

NAME.

LEVER BROS., LIMITED, of Balmain, near Sydney, State of New South Wales, Manufacturers.

No. of class : 48.

Description of goods : Perfumed soap, perfumery, and glycerine for toilet purposes.

No. of application : 5672.

Date : 7th December, 1905.

TRADE MARK.

The word

SULTAN

NAME.

LEVER BROS., LIMITED, of Balmain, near Sydney, State of New South Wales, Manufacturers.

No. of class : 47.

Description of goods : Common soap, soap-powders, candles, matches, starch, blue, washing-soda, detergents, and oil for illuminating, heating, or lubricating purposes.

No. of application : 5673.

Date : 7th December, 1905.

TRADE MARK.

The word

SULTAN.

NAME.

LEVER BROS., LIMITED, of Balmain, near Sydney, State of New South Wales, Manufacturers.

No. of class : 48.

Description of goods : Perfumed soap, perfumery, and glycerine for toilet purposes.

No. of application : 5674.

Date : 7th December, 1905.

TRADE MARK.



The essential particulars of the trade mark are the following: The device of a sign-board bearing thereon the words or letters "Ye sign of ye Goode," the device of a double triangle, the combination of devices, and the distinctive label; and applicants disclaim any right to the exclusive use of the added matter, except as regards their name and address.

NAME.

LEVER BROS., LIMITED, of Balmain, near Sydney, State of New South Wales, Manufacturers.

No. of class : 47.

Description of goods : Common soap, soap-powders, candles, matches, starch, blue, washing-soda, detergents, and oil for illuminating, heating, or lubricating purposes.

No. of application : 5675.
Date : 7th December, 1905.

TRADE MARK.

(The mark as shown in preceding notice, No. 5674.)

The essential particulars of the trade mark are the following: The device of a sign-board bearing thereon the words or letters "Ye sign of ye Goode," the device of a double triangle, the combination of devices, and the distinctive label; and applicants disclaim any right to the exclusive use of the added matter, except as regards their name and address.

NAME.

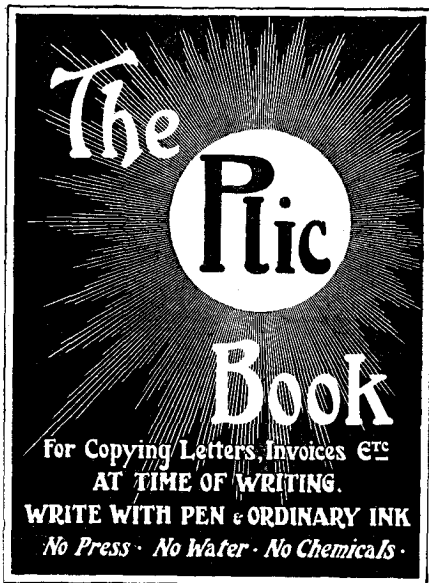
LEVER BROS., LIMITED, of Balmain, near Sydney, State of New South Wales, Manufacturers.

No. of class : 48.

Description of goods; Perfumed soap, perfumery, and glycerine for toilet purposes.

No. of application : 5676.
Date : 7th December, 1905.

TRADE MARK.



The essential particulars of the trade mark are the following: The word "Plic" and the device of a sun; and any right to the exclusive use of the added matter is disclaimed.

NAME.

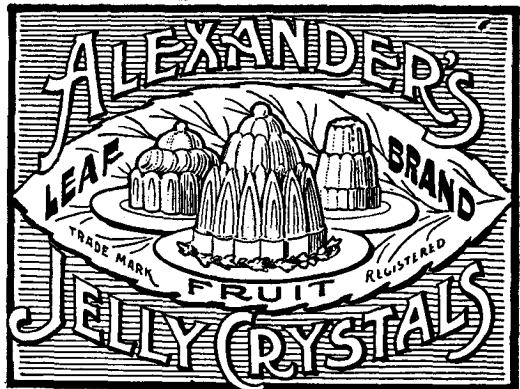
LAMSON PARAGON SUPPLY COMPANY OF AUSTRALASIA PROPRIETARY, LIMITED, of Bridge Road, Richmond, in the State of Victoria, Australia.

No. of class : 39.

Description of goods: Manifold books, account books, letter books, invoice books, post-card books, and check books of all kinds.

No. of application : 5677.
Date : 8th December, 1905.

TRADE MARK.



The essential particulars of this trade mark are the following: The word "Leaf," the device of a leaf, and the distinctive label; and any right to the exclusive use of the added matter is disclaimed.

NAME.

ALEXANDER MURDOCH AND Co., of 85, St. Andrew Street, Dunedin, New Zealand, Manufacturing Chemists.

No. of class : 42.

Description of goods: Table jellies, and preparations for making them.

No. of application : 5678.
Date : 11th December, 1905.

TRADE MARK.



The essential particular of the trade mark is the combination of devices; and any right to the exclusive use of the added matter is disclaimed.

NAME.

NICOLAY AND Co., of 36 and 36A, St. Andrew's Hill, London, England, and of 22, Josephstrasse, Zurich, Switzerland, Manufacturers.

No. of class : 3.

Description of goods: A medicine for human use.

No. of application: 5679.
Date: 11th December, 1905.

TRADE MARK.



The essential particulars of the trade mark are the combination of devices and the words "The Three Poodles"; and any right to the exclusive use of the added matter is disclaimed.

NAME.

JÖNKÖPINGS OCH VULGANS TANDSTICKSFABRIKSÄKTIEBOLAG, Westra Storgatan, Jönköpings, Sweden, Match-manufacturers.

No. of class: 47.

Description of goods: Matches.

No. of application: 5681.
Date: 11th December, 1905.

TRADE MARK.

The word

J O J O .

NAME.

LAMBERT WILLIAM LOVEDAY, of Wellington, in the Colony of New Zealand.

No. of class: 50.

Description of goods: A polish for linoleum, floorcloths, boots, leather goods generally, and furniture.

F. WALDEGRAVE,
Registrar.

Trade Marks registered.

LIST of Trade Marks registered from the 30th November to the 13th December, inclusive:—
No. 4299; 5398.—Simmons Hardware Company; Class 1. (*Gazette* No. 75, of the 10th August, 1905.)
No. 4300; 5428.—Mander Bros.; Class 1.—(*Gazette* No. 75, of the 10th August, 1905.)
No. 4301; 5440.—E. A. Bentley; Class 3. (*Gazette* No. 75, of the 10th August, 1905.)
No. 4302; 5441.—The Icilma Company, Limited; Class 48. (*Gazette*, No. 78, of the 24th August, 1905.)
No. 4303; 5442.—Whybrow and Co.; Class 38. (*Gazette* No. 78, of the 24th August, 1905.)
No. 4304; 5443.—Whybrow and Co.; Class 38. (*Gazette* No. 78, of the 24th August, 1905.)
No. 4305; 5444.—R. and J. Hill, Limited; Class 45. (*Gazette* No. 78, of the 24th August, 1905.)
No. 4306; 5445.—R. and J. Hill, Limited; Class 45. (*Gazette* No. 78, of the 24th August, 1905.)
No. 4307; 5446.—Royce, Gascoine, and Co., Limited; Class 38. (*Gazette*, No. 78, of the 24th August, 1905.)
No. 4308; 5447.—Royce, Gascoine, and Co., Limited; Class 38. (*Gazette* No. 78, of the 24th August, 1905.)
No. 4309; 5448.—Salt Union, Limited; Class 42. (*Gazette* No. 82, of the 7th September, 1905.)
No. 4310; 5468.—Société Menier; Class 42. (*Gazette* No. 78, of the 24th August, 1905.)
No. 4311; 5469.—J. Pearsall and Co.; Class 30. (*Gazette* No. 78, of the 24th August, 1905.)
No. 4312; 5471.—G. H. Brown; Class 28. (*Gazette* No. 78, of the 24th August, 1905.)
No. 4313; 5475.—The Aeolian Company; Class 9. (*Gazette* No. 82, of the 7th September, 1905.)
No. 4314; 5476.—The Aeolian Company; Class 9. (*Gazette* No. 82, of the 7th September, 1905.)
No. 4315; 5477.—The Aeolian Company; Class 9. (*Gazette* No. 82, of the 7th September, 1905.)
No. 4316; 5489.—The Jos. Schlitz Brewing Company; Class 43. (*Gazette* No. 82, of the 7th September, 1905.)

No. 4317; 5421.—M. H. Wilton; Class 3. (*Gazette* No. 75, of the 10th August, 1905.)
No. 4318; 5472.—The Frontenac Cereal Company, Limited; Class 42. (*Gazette* No. 78, of the 24th August, 1905.)
No. 4319; 5488.—The Anglo-British Columbia Packing Company, Limited; Class 42. (*Gazette*, No. 85, of the 21st September, 1905.)
No. 4320; 5503.—Francis Chapman Deekes and Co.; Class 5. (*Gazette* No. 85, of the 21st September, 1905.)
No. 4321; 5520.—A. Bagley; Class 47. (*Gazette* No. 85, of the 21st September, 1905.)
No. 4322; 5525.—Hooper and Harrison; Class 27. (*Gazette* No. 85, of the 21st September, 1905.)
No. 4323; 5526.—Hooper and Harrison; Class 34. (*Gazette* No. 85, of the 21st September, 1905.)
No. 4324; 5234.—The Turner, Day, and Woolworth Handle Company; Class 50. (*Gazette* No. 85, of the 21st September, 1905.)
No. 4325; 5323.—J. J. Bostock; Class 42. (*Gazette* No. 85, of the 21st September, 1905.)
No. 4326; 5502.—M. B. Luxton; Class 48. (*Gazette* No. 85, of the 21st September, 1905.)
No. 4327; 5514.—The New Zealand Industrial Co-operative Society, Limited; Class 42. (*Gazette* No. 85, of the 21st September, 1905.)
No. 4328; 4961.—J. B. Gilberd and Sons; Class 47. (*Gazette* No. 86, of the 27th October, 1904.)
No. 4329; 5523.—H. D. Vavasour; Class 4. (*Gazette* No. 85, of the 21st September, 1905.)
No. 4330; 5524.—H. D. Vavasour; Class 37. (*Gazette* No. 85, of the 21st September, 1905.)
No. 4331; 5340.—J. A. McIntosh; Class 12. (*Gazette* No. 61, of the 29th June, 1905.)
No. 4332; 5497.—Marshall's Proprietary, Limited; Class 42. (*Gazette* No. 85, of the 21st September, 1905.)
No. 4333; 5498.—Marshall's Proprietary, Limited; Class 42. (*Gazette* No. 85, of the 21st September, 1905.)
No. 4334; 5516.—J. Nathan and Co., Limited; Class 42. (*Gazette* No. 85, of the 21st September, 1905.)
No. 4335; 5414.—R. M. Murie; Class 22. (*Gazette* No. 88, of the 5th October, 1905.)
No. 4336; 5422.—C. W. Price; Class 48. (*Gazette* No. 75, of the 10th August, 1905.)
No. 4337; 5506.—Lever Bros., Limited; Class 47. (*Gazette* No. 85, of the 21st September, 1905.)
No. 4338; 5507.—Lever Bros., Limited; Class 48. (*Gazette* No. 85, of the 21st September, 1905.)
No. 4339; 5508.—Lever Bros., Limited; Class 47. (*Gazette* No. 85, of the 21st September, 1905.)
No. 4340; 5509.—Lever Bros., Limited; Class 48. (*Gazette* No. 85, of the 21st September, 1905.)
No. 4341; 5510.—Lever Bros., Limited; Class 47. (*Gazette* No. 85, of the 21st September, 1905.)
No. 4342; 5511.—Lever Bros., Limited; Class 48. (*Gazette* No. 85, of the 21st September, 1905.)
No. 4343; 5536.—R. Klinger; Class 50. (*Gazette* No. 88, of the 5th October, 1905.)
No. 4344; 5539.—The Burmah Oil, Limited; Class 47. (*Gazette* No. 88, of the 5th October, 1905.)
No. 4345; 5545.—Gollin and Co. Proprietary, Limited; Class 42. (*Gazette* No. 88, of the 5th October, 1905.)

Trade Mark Renewal Fees paid.

FEES paid for the renewal of the undermentioned trade marks:—

For fourteen years from the dates first mentioned.

No. 443/372.—7th April, 1906.—P. J. Mackie and A. H. Holm, trading as "Mackie and Co.," of Glasgow, Scotland. 29th November, 1905.

No. 461/376.—3rd May, 1906.—E. Smith, trading as "T. and W. Smith," of Newcastle-upon-Tyne, England. 12th December, 1905.

Trade Marks removed from the Register.

TRADE Marks removed from the Register, owing to the non-payment of the renewal fees, from the 30th November to the 13th December, 1905, inclusive:—

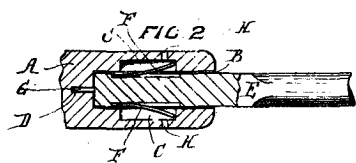
Nil.

Request for Correction of Clerical Error in Application for Trade Mark allowed.

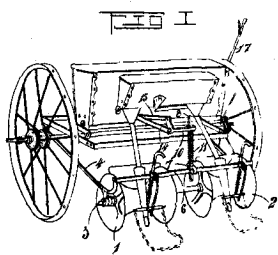
THE request to correct the clerical error in the name of the applicants in Trade Mark No. 5380 (advertised in Supplement to *New Zealand Gazette* No. 88, of the 5th October, 1905) has been allowed.

ILLUSTRATIONS OF INVENTIONS.

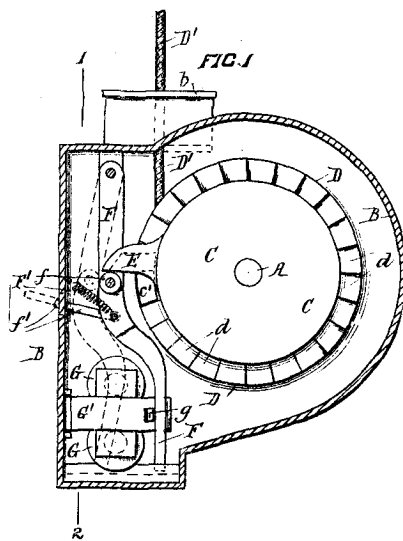
[These illustrations refer to the complete specifications accepted, and advertised in this *Gazette*.]



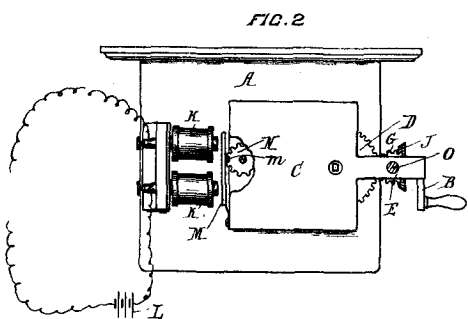
18829
Legg. Baker's Peel.



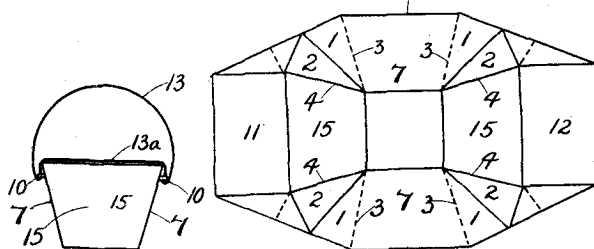
18954
Storrie. Turnip-ridger.



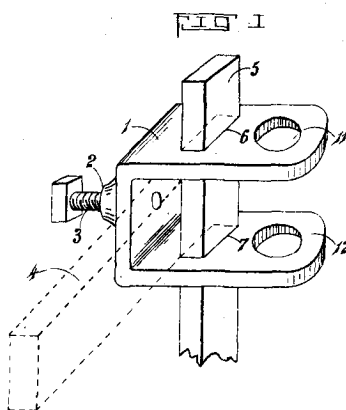
19015
Cooper. Trolley-pole Controller.



18974
Farrell. Fire-alarm.



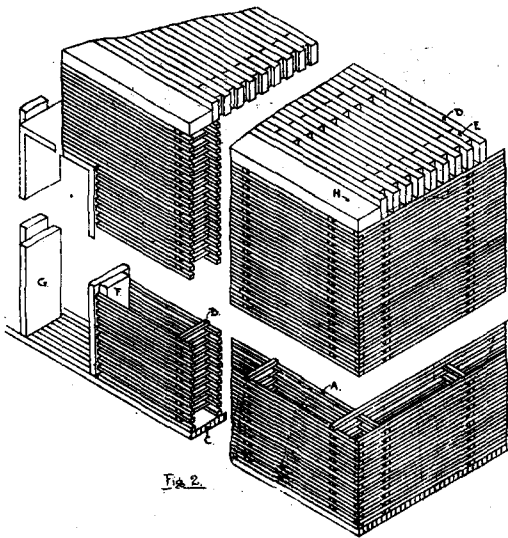
19029
Lietz. Receptacle.



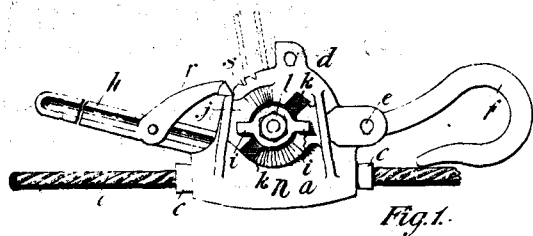
19040
Scobie. Plough-beam Coupler.



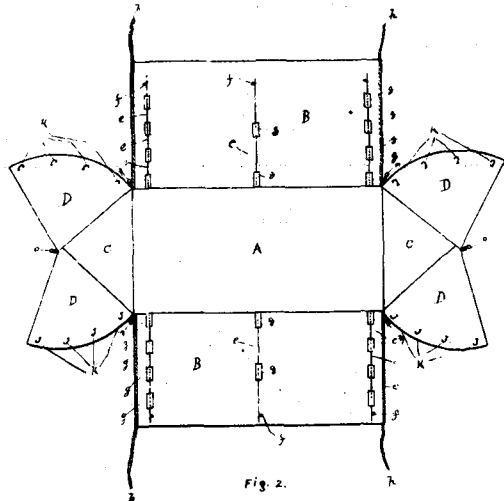
19007
Spencer and Sanderson. Blind-retainer.



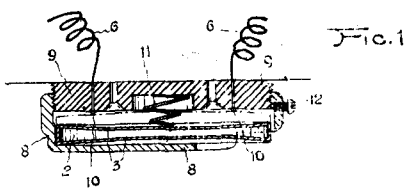
19891
Brown, D. and J. Solomon: House.



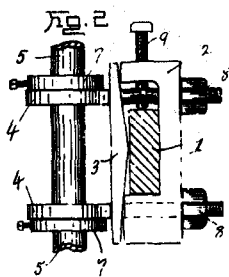
20247
Cradock. Cable-grip.



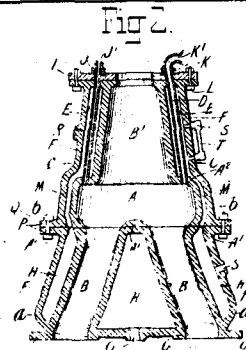
20236
Donne Tent. (McCall.)



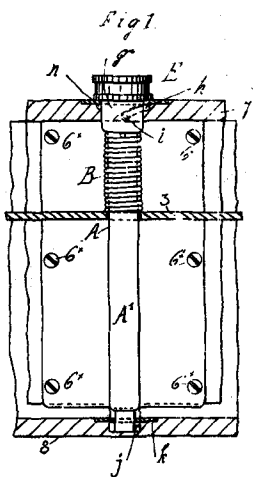
19925
Taylor, Langley, and McDowell. Fire-arm.



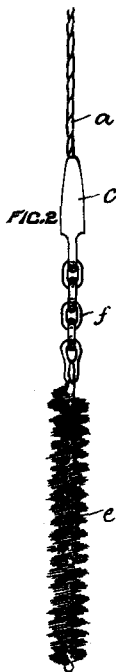
20205
Buckley. Skeith-buckle.



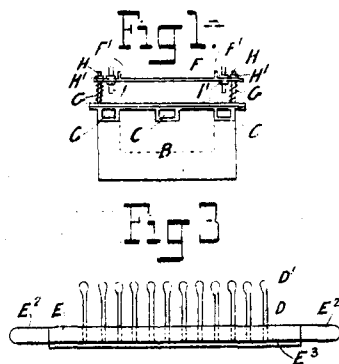
20262
Whit. Exhaust-superheater.



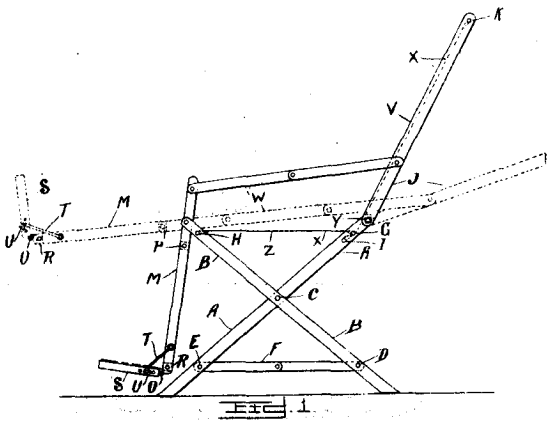
20250
Steele. Loose-leaf Book.



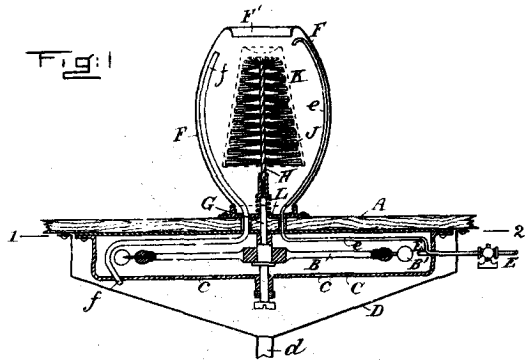
20238
Stocker. Gun-cleaner.



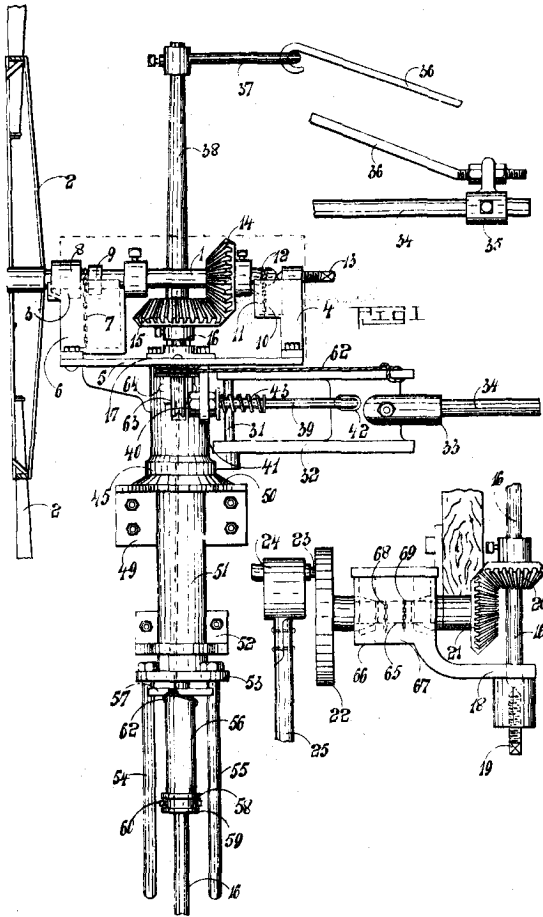
20290
Henderson. Capsule.



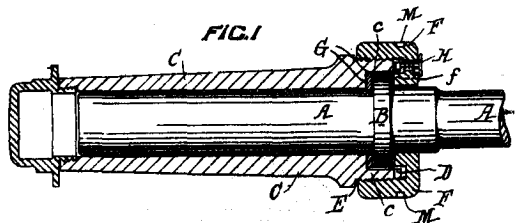
20266
McCarthy. Easy-chair.



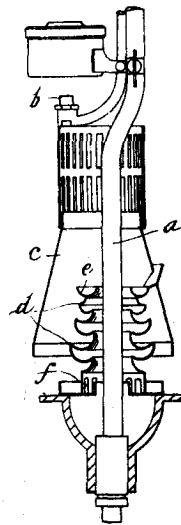
20294
Cameron and Marshall. Glass-washer.



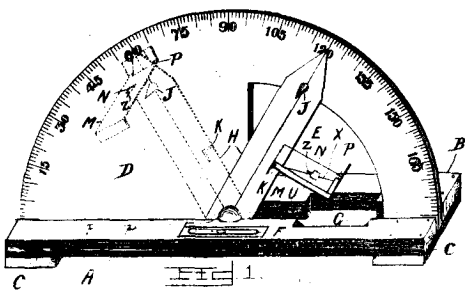
20280
O'Neil. Windmill.



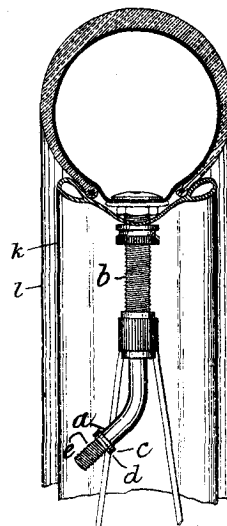
20296
Page. Wheel-cap.



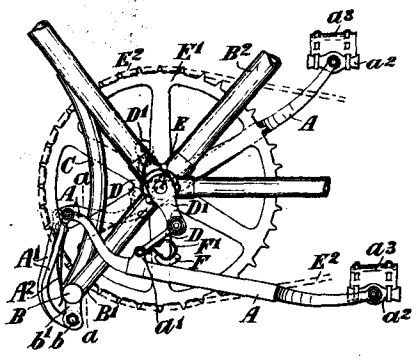
20263
Brattstrom. Petroleum-lamp. (Aktiebolaget Lux-Carlson.)



20299
Chappell. Measurer, Indicator.



20261
Rich and Walbran. Tire-valve.



19030
McFarlane. Cycle-pedal Gear.

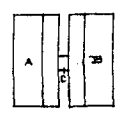
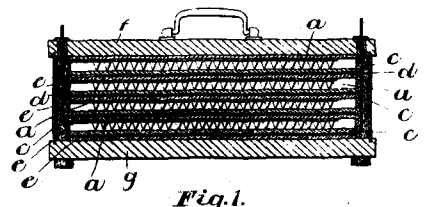
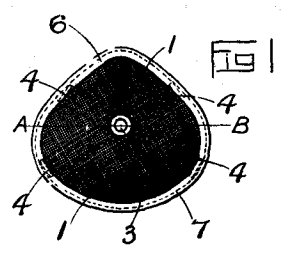


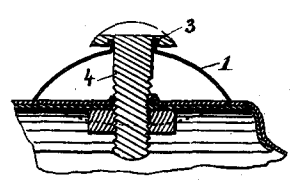
Fig. 2
19198
Galbally. Building-block.



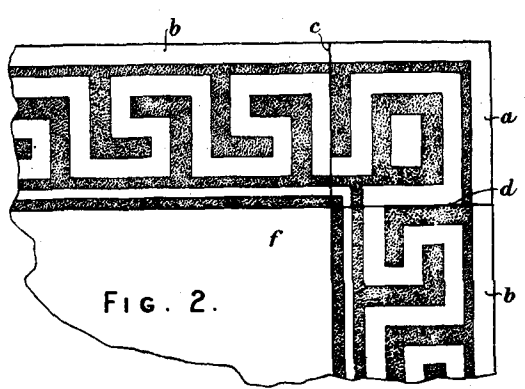
19650
Sahlstrom. Electrical Ozonizer.



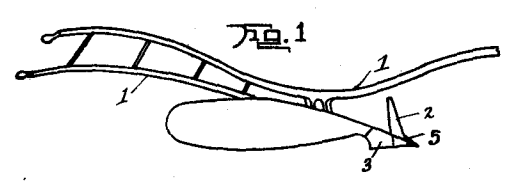
19125
Paterson. Jug-cover.



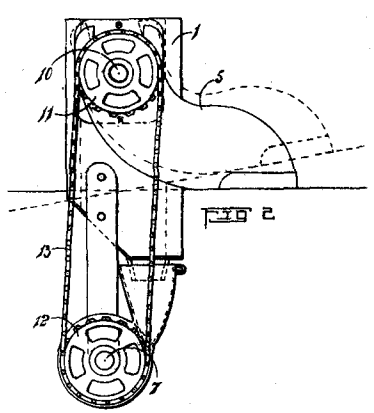
19685
Price. Bolt-hole Leak-stop.



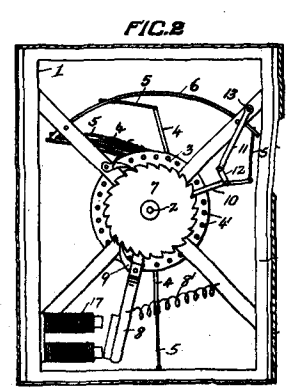
19127
W. E., J. T., and A. G. Catesby. Linoleum.



19721
Pocock. Plough-coulter.



19167
Gray. Seed-sower.



19709
Border. Station-indicator.